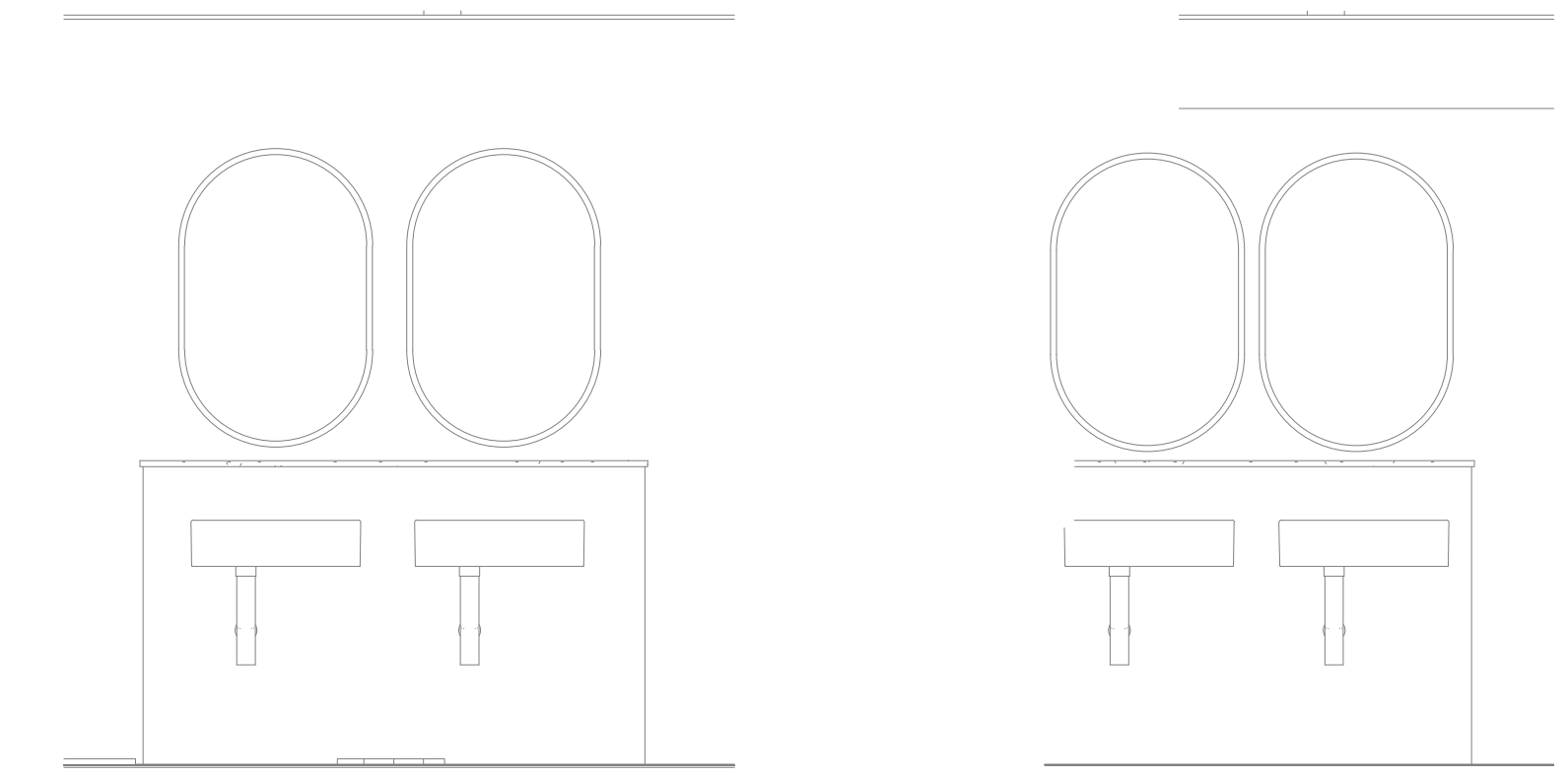
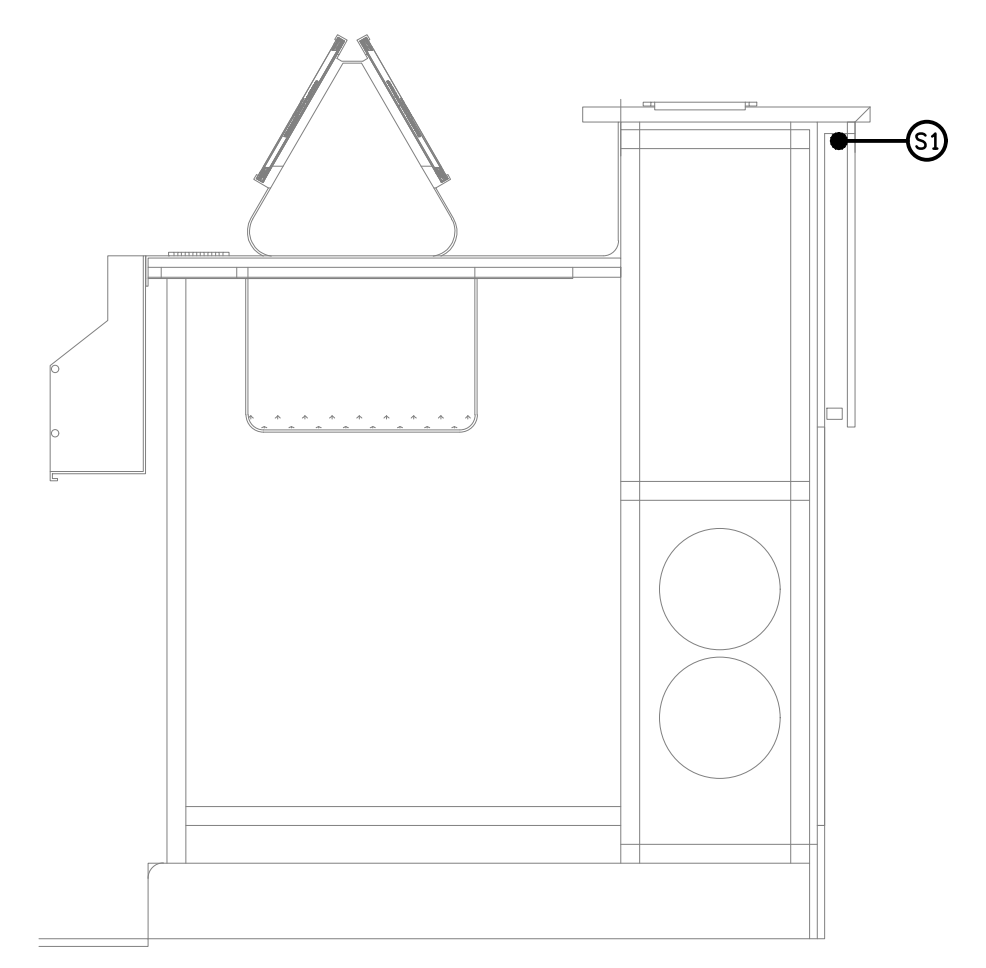


**DETAIL A**  
BISTRO BAR ELEVATION  
SCALE 1:25



**DETAIL B**  
MALE WC ELEVATION  
SCALE 1:25

**DETAIL C**  
FEMALE WC ELEVATION  
SCALE 1:25



**DETAIL D**  
BISTRO BAR SECTION  
SCALE 1:10

ELECTRICAL DESIGN GROUP BRISBANE  
PTY LTD  
ACN 092 710 793  
TRADING AS:  
ELECTRICAL DESIGN GROUP

THE COPYRIGHT OF THIS DRAWING  
REMAINS THE PROPERTY OF THE  
ELECTRICAL DESIGN GROUP.  
USE FIGURED DIMENSIONS  
IN PREFERENCE TO SCALE.  
ALL DIMENSIONS TO BE  
VERIFIED ONSITE.

**ELECTRICAL DESIGN GROUP**  
ELECTRICAL BUILDING SERVICES CONSULTANTS  
BRISBANE GOLD COAST  
P.O. Box 15, Sherwood Q.4075  
Phone: (07) 3278 4375  
Email: brisbane@edg.net.au  
Web: www.edg.net.au

PROJECT:  
**SUNNYBANK COMMUNITY SPORTS CLUB**  
470 McCULLOUGH STREET, SUNNYBANK

A	PRELIMINARY	03/06/2024
REV:	DESCRIPTION:	DATE:
DRAWING: <b>ELECTRICAL SERVICES</b> <b>BISTRO &amp; BAR REFLECTED CEILING PLAN</b>		
SCALE: 1:100 UNO	AT A1	PROJECT NO: <b>C3179a</b>
		DRAWING NO: <b>E06</b>
		REVISION: <b>A</b>